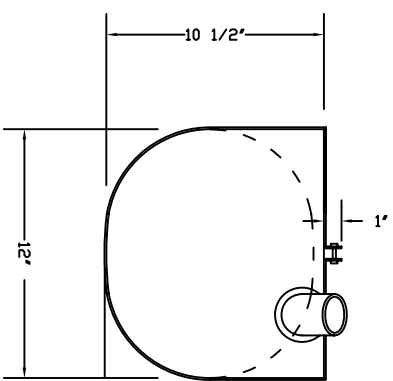
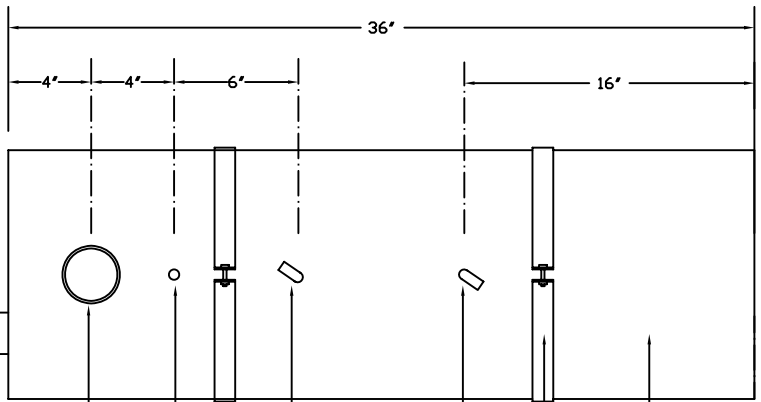
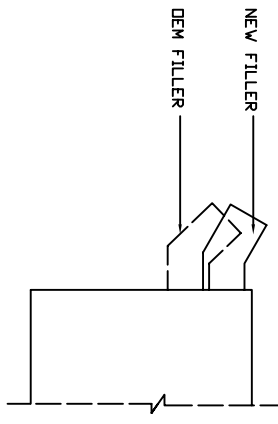


2500M DEM GAS TANK



2500M STAINLESS STEEL REPLACEMENT GAS TANK

- 14 GAUGE STAINLESS STEEL TANK
- 1' X 16 GAUGE STAINLESS STEEL STRAP
- FUEL LINE CONNECTION
- BREATHER HOSE CONNECTION WITH BALL CHECK VENT VALVE #119-1810
- 1/4" DIA. GROUNDING STUD
- SMITHS SENDING UNIT COLLAR
- STAINLESS STEEL FILLER NECK-- SAME DIA. AS DEM



NEW FILLER NECK POSITION COMPARED TO DEM POSITION